



Boatman Marking, Inc.
 2553 Lee Avenue
 So. El Monte, CA 91733
 Ph (626) 285-1802 Fax (626) 350-8045
 www.BoatmanMarking.com

PARTS LIST

B E T T E R P A C K #333

Prices are F.O.B. Shelton, CT
 Subject to change without notice.

ILLUS. NUMBER	QTY.	PART NO.	DESCRIPTION
1	1	FM1FX	Left Frame, Complete with skirt, Oilite Bearings, Bumper, Left Shear Bracket & Rubber Feet
1	1	FM2FX	Right Frame, Complete with Oilite Bearings, Right Shear Bracket & Rubber Feet
<u>Parts available for service:</u>			
1			1 BS40 Washer
1			1 FM75 PM Nut
1			1 FM96 Screw
			1 FM8 Cover Bumper
1	1	FM3	Lower Front Cover
1	1	FM4	Top Front Cover
1	1	FM5X	Rear Cover Assy. with Tape Guide
1	1	FM64	Spring for FM5X
	1	<u>FM6AXX</u>	<u>Plastic Water Tank Assy.</u>
<u>Parts available for service:</u>			
1			1 FM6AX Plastic Water Tank & Insert
1			1 FM118X Thumb Screw Assy. (1 FM118 Nut and 1 ST28 Screw)
1	1	FM11X	Lower Tape Plate Assy.
1	1	FM12	Upper Tape Plate
1	2	FM15	Support Rod
4	1	E578B	Bottle Cradle Spacer
	1	<u>FM16X</u>	<u>Pressure Plate Assembly</u>
<u>Parts Available for service:</u>			
1			1 FM16 Pressure Plate
1			2 FM17 Weight
1	2	FM18	Shear Guide Roller
2	1	FM20BX	Movable Shear Assembly
2	1	FM25C	Pivot Pin for Movable Shear Assy.

 \$15.00 MINIMUM CHARGE FOR EACH ORDER

BETTER PACK #333

ILLUS. NUMBER	QTY.	PART NO.	DESCRIPTION
	1	<u>FM21X</u>	<u>Stationary Shear Assembly</u> (with FM23HD Spring)
2	1	FM21	Stationary Blade
2	2	FM23HD	Tension Spring for FM21 Stationary Blade
	1	<u>FM26XX</u>	<u>Rocker Plate Assembly</u>
<u>Parts available for service</u>			
2			1 FM26X Rocker Assembly
2			1 FM30A Striker Shaft
2			1 FM31A Striker Bushing
2			1 SX49A Washer
			1 SX49B Washer
2			3 WK2 Retaining Ring
2			1 FM73 Set Screw
2			1 FM32 Pivot Shaft
2	1	FM33AX	Rocker Tension Spring with Hook FM62
3	1	FM48AX	Handle Return Spring with Hook FM62
	2	FM62	Hook for FM33AX and FM48AX
2	2	TS324	Wood Pulley for FM33AX and FM48AX
2	1	FM67	Pivot Shaft for TS324 Wood Pulley
2	1	FM39XX	Idler, Lower Feed Wheel Assy.
2	1	FM34	Idler Pivot Shaft
2	1	FM40	Tank Shelf (painted)
3	1	<u>FM41FX</u>	<u>Crank, Pawl & Wood Grip Assembly</u>

Parts available for service:

3			1 FM41X Crank & Hub Assembly
3			2 APS76 Groov Pin
3			2 FM43 Pawl Stud
3			2 K44B Pawl
3			2 K45 Pawl Spring
3			2 GE94 Pawl Spring Stud
3			1 FM70 Wood Handle Grip
3			1 FM71 Handle Bolt
3			1 K417A 5/16" - 18 Hex Nut
3			1 SX49A Spacer Washer
3			1 1218 5/16" - 18 Lockwasher

BETTER PACK #333

ILLUS. NUMBER	QTY.	PART NO.	DESCRIPTION
3	1	FM46	Crankshaft
3	1	FM47	Hammer Cam & Pins
3	1	FM49X	Feed Wheel Shaft & 12T Pinion Assy.
3	1	FM51	Spacer Washer for FM49X
3	2	FM52B	Roll Guide Plate Left or Right
3	1	FM123	Spacer
2	1	FM57X	Tape Basket & Core Retainer
2	1	FM58	Vertical Tie Plate
2	2	FM59X	Wood Tape Roller Assy.
1	1	FM61	Tie Screw
	1	FM63	Spacer
4	1	FM79	Scale
4	1	FM80	Drum
4	1	FF12B	Plastic Bottle
4	1	FM86	Bottle Cradle Liner
4	1	FM87	Bottle Cradle
4	1	FM37	Cradle Spacing Washer
	1	<u>FM89X</u>	<u>Tank Plate & Adj. Screw Assembly</u>
			<u>Parts available for service:</u>
			1 FM89 Tank Plate
			1 K225 Water Level - 1" RD.Hd. Ph. Adj. Screw
			1 K221BR 10-32 Hex Nut
1	2	PW107A	Brush
4	1	GE79X	6" Drive Gear & Knurled Disc Assembly
2	1	PW35A	Rubber Bumber
3	1	PW77X	Upper Feed Wheel Assembly
3	1	PW77CX	Feed Wheel Assembly (Chrome)
	1	<u>FM108X</u>	<u>Rocker & Stop Bar Assembly</u> Consisting Of:
2			1 FM108 Rocker Stop Bar
2			1 FM23HD Spring
2			1 1/16 X 1/2 Cotter Pin
	1	<u>FM110XX</u>	<u>Feed Stop Assembly</u>
			<u>Parts available for service:</u>
4			1 FM110X Stop Plate & Knob Assy.
4			1 FM111 Tension Plate
4			1 APS61 Tension Spring
4			1 K225 Screw
			1 FM112 Knob

BETTER PACK #333

ILLUS. NUMBER	QTY.	PART NO.	DESCRIPTION
<u>ACCESSORIES</u>			
	1	FM92XX	115V Heater Assembly
	1	FM93XX	220V Heater Assembly
<u>Parts available for service:</u>			
4			1 FM92X 115V Heater
			1 FM93X 220V Heater
4			1 E635 Wire Clamp
4			3 TO266 1/4 - 6-32 RHI Screw (1 to attach clip to Water tank and 2 to attach Heater Assy. to Water Tank)
4			1 S9 Washer
2	2	FM14	Spacer Washer (for FM20BX Movable Shear)
3	1	FM51	Spacer Washer - .385 X 3/4" O.D. X 1/8" thick (For FM49X Feed Wheel Shaft & 12T Pinion Assy)
1	1	BS40	Spacer Washer - .197 X 9.16 O.D. X 1/16" thick (For Right Shear Bracket)
	1	FM37	Spacer Washer - .257 X 3/4" O.D. X 1/8" (used on FM39XX Assy.)
	2	K35A1/32	Spacer Washer - 1/2" X 7/8" O.D. X 1/32" thick (For Crankshaft end play)
	1	K35A1/64	Spacer Washer - 1/2" X 7/8" O.D. X 1/64" thick (For Spacing Feed Handle)
3	2	K35B1/32	Spacer Washer - 3/8" X 9/16" O.D. X 1/32" thick (For FM49X Feed Wheel Shaft & 12T Pinion Assy.)
3	1	K35B1/64	Spacer Washer - 3/8 X 9/16" O.D. X 1/64 thick (For FM49X Feed Wheel Shaft & 12T Pinion Assy.)
	5	SX49A	Spacer Washer - .318 X 9/16" O.D. X 1/32" thick 2 for FM30A Stricker Shaft 1 for FM71 Handle Bolt 2 for FM32 Rocker Pivot Shaft
	5	1214	1/4-20 Shakeproof Lockwasher (Int
	1	1218	5/16-18 Shakeproof Lockwasher (In

BETTER PACK #333

<u>ILLUS. NUMBER</u>	<u>QTY.</u>	<u>PART NO.</u>	<u>DESCRIPTION</u>
			<u>SCREWS</u>
	2	BM172	10-32 - 3/16" cup Point Allen Set Screw (For PW77 Feed Wheel)
	1	FM73	10-32 - 3/4" Oval Point Allen Set Screw (Adjusting Screw for FM26X Rocker Assy.)
	1	K225	10-32 - 1" Fillister Head Slotted Screw (Water Level Adjusting Screw)
1	1	FM96	10-32 - 1/2" lg. R.H. Ph. Screw (to fasten Right Shear Bracket to Side Frame)
4	3	FM99	10-24 - 3/8" lg. F.H. Ph. Screw (To fasten Drum to Left Side Frame)
4	2	ST10	1/4-20 - 5/8" lg. R.H. Ph. Screw (To fasten Bottle Bracket to Right Side Frame)
2	2	FM105	1/4-20 - 3/8" lg. R.H. Ph. Screw (to fasten FM57 Tape Basket to Side Frame)
1	6	TO105	10-32 - 3/8" lg. R.H. Ph. Screw (4 to fasten FM40 Tank Shelf to Side Frames 2 to fasten FM11 Lower Tape Plate to Side Frames)
4	2	TO266	6-32 - 1/4" lg. R.H. Ph. Screw (To fasten FM89X Tank Plate & Screw Assy. to FM6X Water Tank)
2-3	11	TO256	1/4-20 - 1/2" lg. R.H. Ph. Screw (2 to fasten FM57 Tape Basket to Side Frames, 4 to fasten FM58 Vertical Tie Plate to Side Frames, 4 to fasten FM56 Slotted Tie Rods to old style FM52 Side Frames - later models have the FM123 Spacer)
			<u>GROOV PINS</u>
3	2	APS76	1/8" dia. X 5/16" lg. Type 2 Groov Pin (Used as Pawl Spring Pin)
3	2	0235190	3/16" dia. X 1" lg. Type #1 Groov Pin (1 used to lock Crank Hub to shaft, 1 used to lock FM47 Hammer Cam to shaft)
	2	PW134	3/16" dia. X 1/2" lg. Type #6 Groov Pin (Used as FM23 Tip Spring Anchor)

BETTER -PACK #333

<u>ILLUS.</u> <u>NUMBER</u>	<u>QTY.</u>	<u>PART NO.</u>	<u>DESCRIPTION</u>
			<u>NUTS</u>
	1	FM29	10-32 Clinch Nut #22FP4-1032 (For FM73 Set Screw on FM26X Rocker Plate)
1-2	7	FM75	10-32 PM Nut Type S80 #10004 (1 used on Right Shear Bracket, 4 used on T0105 Screw for FM40 Tank Shelf, 2 used on T0105 Screw for FM11 Lower Tape Plate)
2-3-4	15	FM91	1/4-20 PM Nut Type S80 #14001 (4 used on FM105 & TO256 Screws for FM57 Tape Basket, 4 used on TO256 Screws for FM58 Vertical Tie Plate, 2 used on ST10 Screws fastening Bottle Holder to Right Side Frame, 1 used on FM61 Screw)
1	3	FM100	10-24 Tinnerman Speed Nut (used on FM99 Drum Screw)
2	1	K221BR	10-32 Brass Hex Nut (used on K225 Water Level Adj. Screw)
2	2	K242AB	12-24 Stop Nut-Steel (1 used on FM32 Rocker Pivot Shaft, 1 used on FM34 Idler Pivot Shaft)
	1	K417A	5/16-18 Hex Jamb Nut (to lock FM71 Handle Bolt To Feed Handle)
	1	K221B	Stop Nut
			<u>RETAINING RINGS</u>
2	4	FM94	4/16" dia. "E" Retaing Ring (2 on FM32 Rocker Pivot Shaft, 2 on FM34 Idler Pivot Shaft)
3	1	FM98	1/2" dia. "E" Retaining Ring (for FM 46 Crank Shaft)
3	1	FM101	3/8" dia. "E" Retaining Ring (for FM49X Shaft & Pinion)
2	3	WK2	5/16" dia. Internal Retaining Ring(used on FM30 Striker Shaft)
1	2	WK21BS	3/16" dia. slide Retaining Ring (1 for FM15 Support Rod, 1 for FM25C blade holder Pivot Pin)

BETTER PACK #333

ILLUS. NUMBER	QTY.	PART NO.	DESCRIPTION
			<u>RIVETS</u>
	4	PW17	3/16" dia. X 3/8" lg. Tubular Rivet (To Fasten Rubber Feet to Frames)
	3	FM90	3/16" dia. X 1/4" lg. Tubular Rivet (To fasten Left & Right Shear Brackets to Side Frames)
	3	GE90	1/8" dia. X 1-1/8" Solid Rivot
	3	PW20	3/16" dia. X 9/32" lg. Tubular Rivot (used on Left and Right Side Frames to act as support for lower Tape Plate)
	2	PW111	1/4" dia. X 7/16" lg. Round Head Solid Rivot (To attach Bumper Bracket to Left Side Frame)
	1	TS338	3/16" dia. X 5/16" lg. Round Head Solid Rivot (To attach Bracket to Crank Handle)
	2	TS531	3/16" dia. X 3/8" lg. Round Head Solid Rivot (To attach Hub Casting to Crank Handle)

	1	<u>FM6X</u>	<u>Iron Water Tank Assembly</u>
			<u>Parts available for service</u>
	4		1 FM6 Iron Tank
			2 TO266 Screw
			1 FM89X Tank Plate Assembly
	1	<u>FM6XX</u>	<u>Iron Water Tank Assembly with Heater (115 volt)</u>
			<u>Parts available for service:</u>
	4		1 FM6X Iron Water Tank Assy.
			1 FM92X Heater 115 Volt
			1 K205A Screw
	4		2 TO266 Screw
			1 E635 Cord Clip
	4		1 S9 Washer

* See Page 3 for FM89X Tank Plate Assembly for Bottom Heater

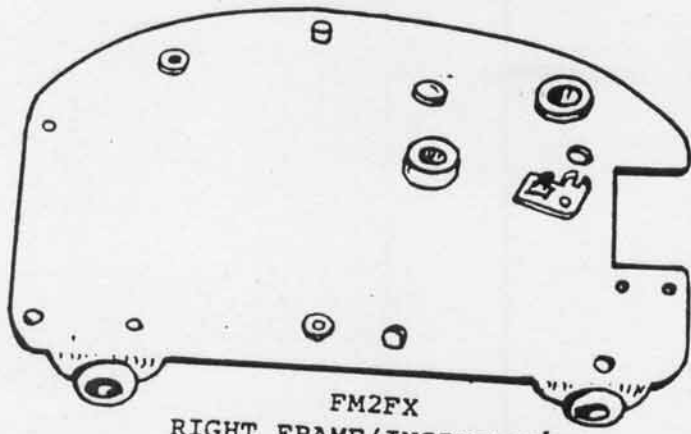
PARTS KITS

B E T T E R P A C K #333

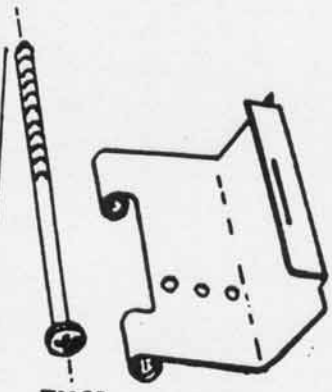
The letter K following a normal part indicates a kit.
Parts are listed to show contents of each kit.

Prices are F.O.B. Shelton, CT
Subject to change without notice.

<u>KIT NO.</u>	<u>DESCRIPTION</u>
FM15K	Rod and Roller Kit for FM16X Pressure Plate Assembly Consists Of: 1 FM15 Support Rod 2 FM18 Shear Guide Roller 1 WK21BS Retaining Ring
FM20BXK	Shear Kit Consists Of: 1 FM20BX Movable Shear Assembly 2 FM14 Washer 1 FM25B Pivot Rod 1 WK21BS Retaining Ring 1 FM21 Stationary Shear 2 FM23HD Tension Spring 1 FM25C Pivot Rod 1 K221B Nut
FM70K	Wood Handle Grip Kit Consists Of: 1 FM70 Wood Handle Grip 1 FM71 Handle Bolt 1 K417A Hex Nut 5/16" - 18 1 SX49A Spacer Washer 1 1218 Lockwasher 5/16" - 18
PW107AK	Brush Kit Consists Of: 2 PW107A Brush
FM6AXXK	Plastic Water Tank Assembly Kit Consists Of: 1 FM6AXX Plastic Tank, insert and thumb screw 1 E578B Bracket 2 ST10 Screw 2 FM91 Nut



FM2FX
RIGHT FRAME (INSIDE VIEW)

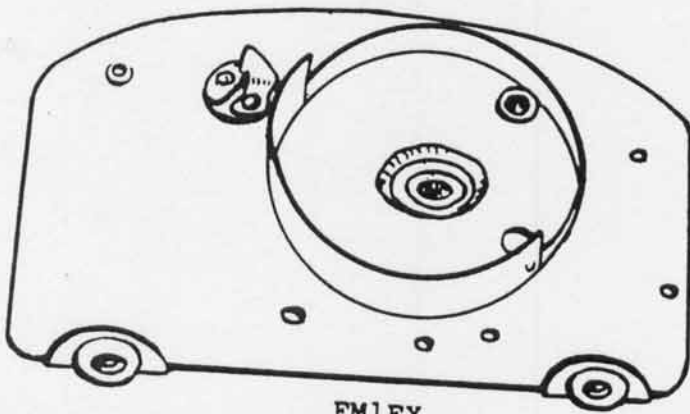


FM61 FM3



PW107A

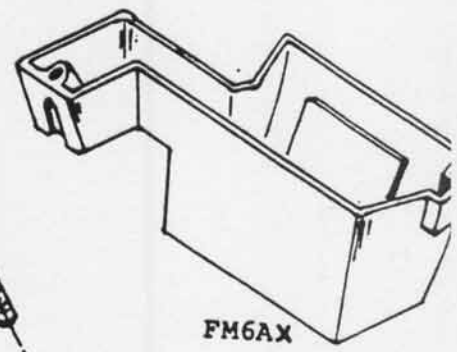
NEW PLASTIC TANK



FM1FX
LEFT FRAME (INSIDE VIEW)



FM118



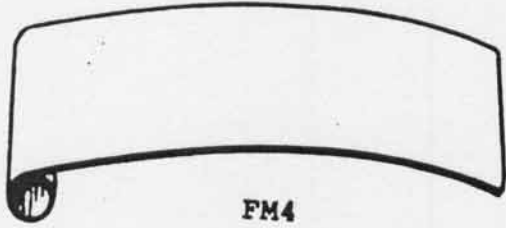
FM6AX



ST28



M100



FM4



TO105



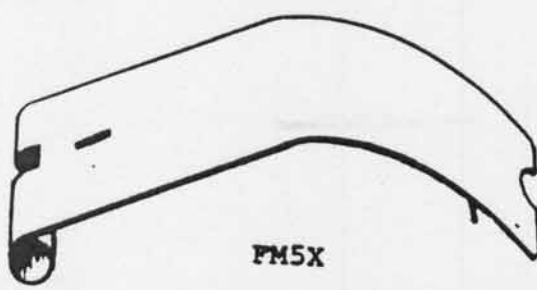
FM18



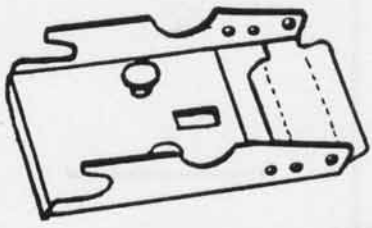
FM17



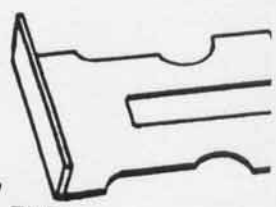
FM16



FM5X



FM11X



FM12



FM75



WK21BS



FM15



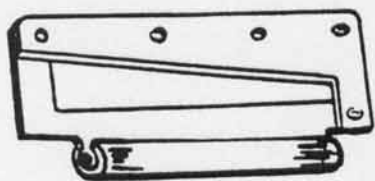
BS40



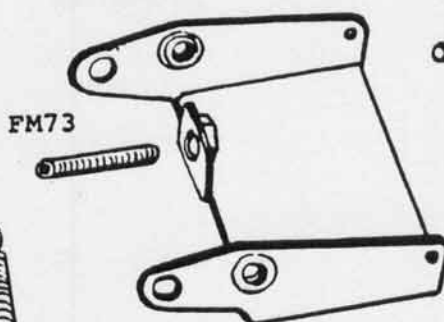
FM75



FM96



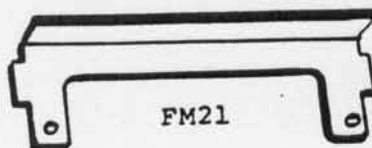
FM20BX



FM26X



FM32



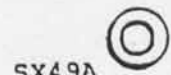
FM21



FM23HD



FM94



SX49A



K242AB



WK21BS



FM25C



FM30A



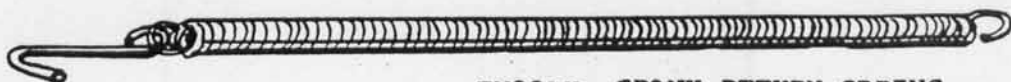
WK2



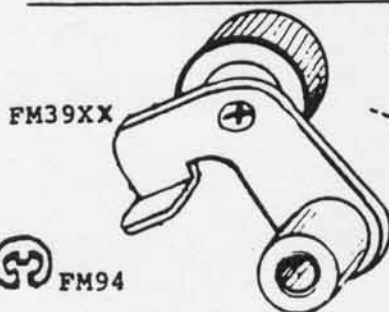
FM31A



FM14

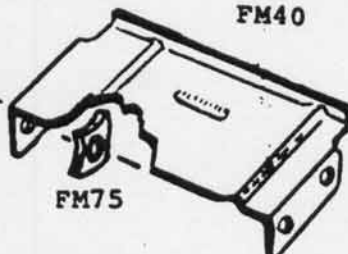


FM33AX CRANK RETURN SPRING

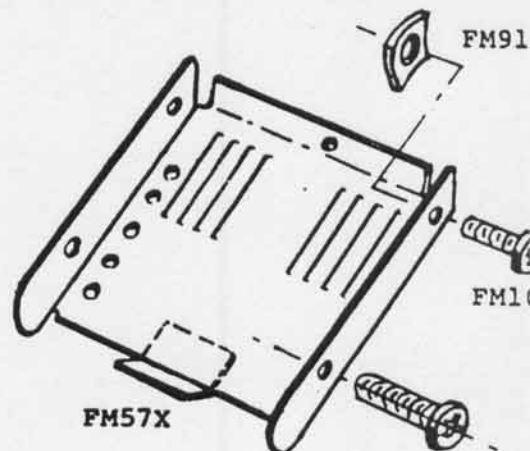


FM39XX

TO105



FM40



FM57X

FM91

FM10

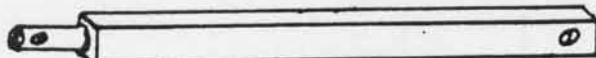
TO256



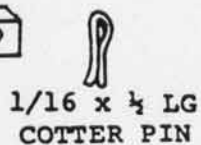
FM34



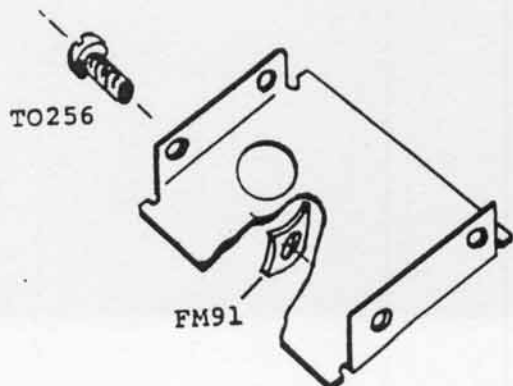
K242AB



FM108



1/16 x 1/4 LG
COTTER PIN



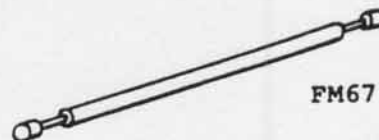
FM58

TO256

FM91



FM59X



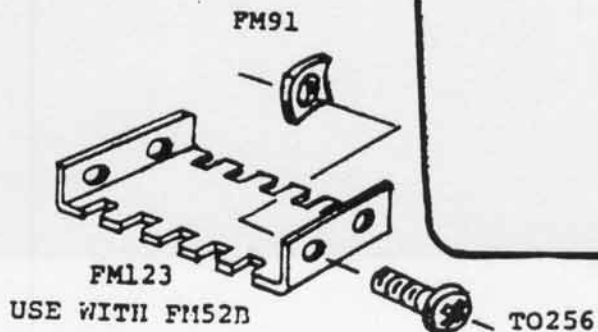
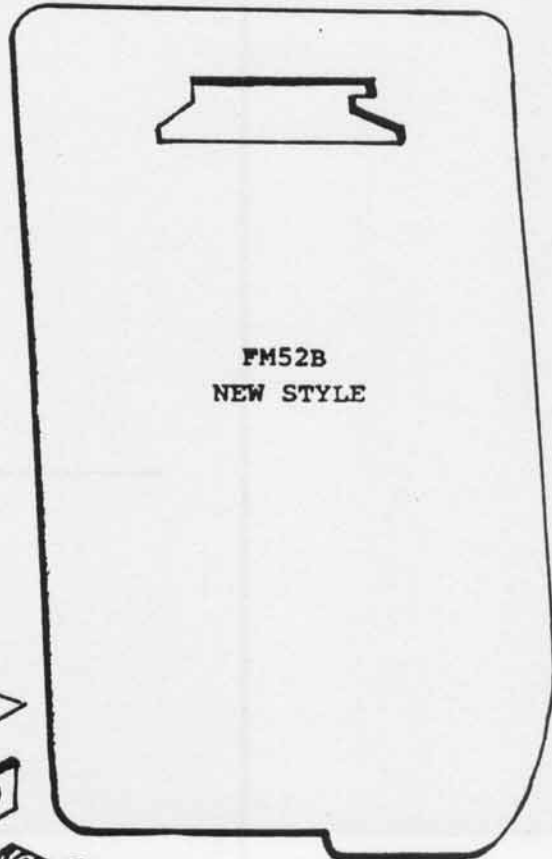
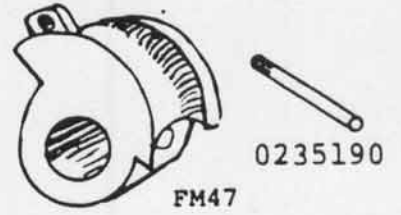
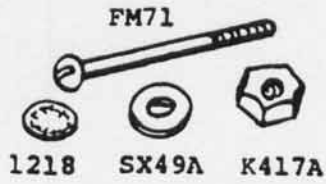
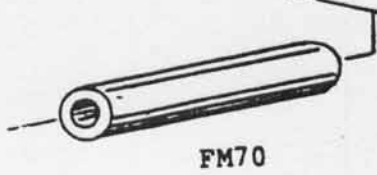
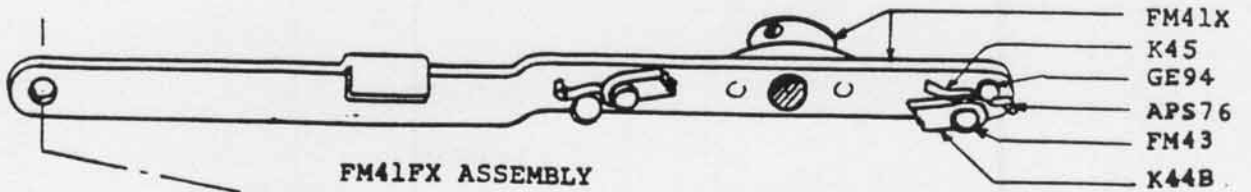
FM67

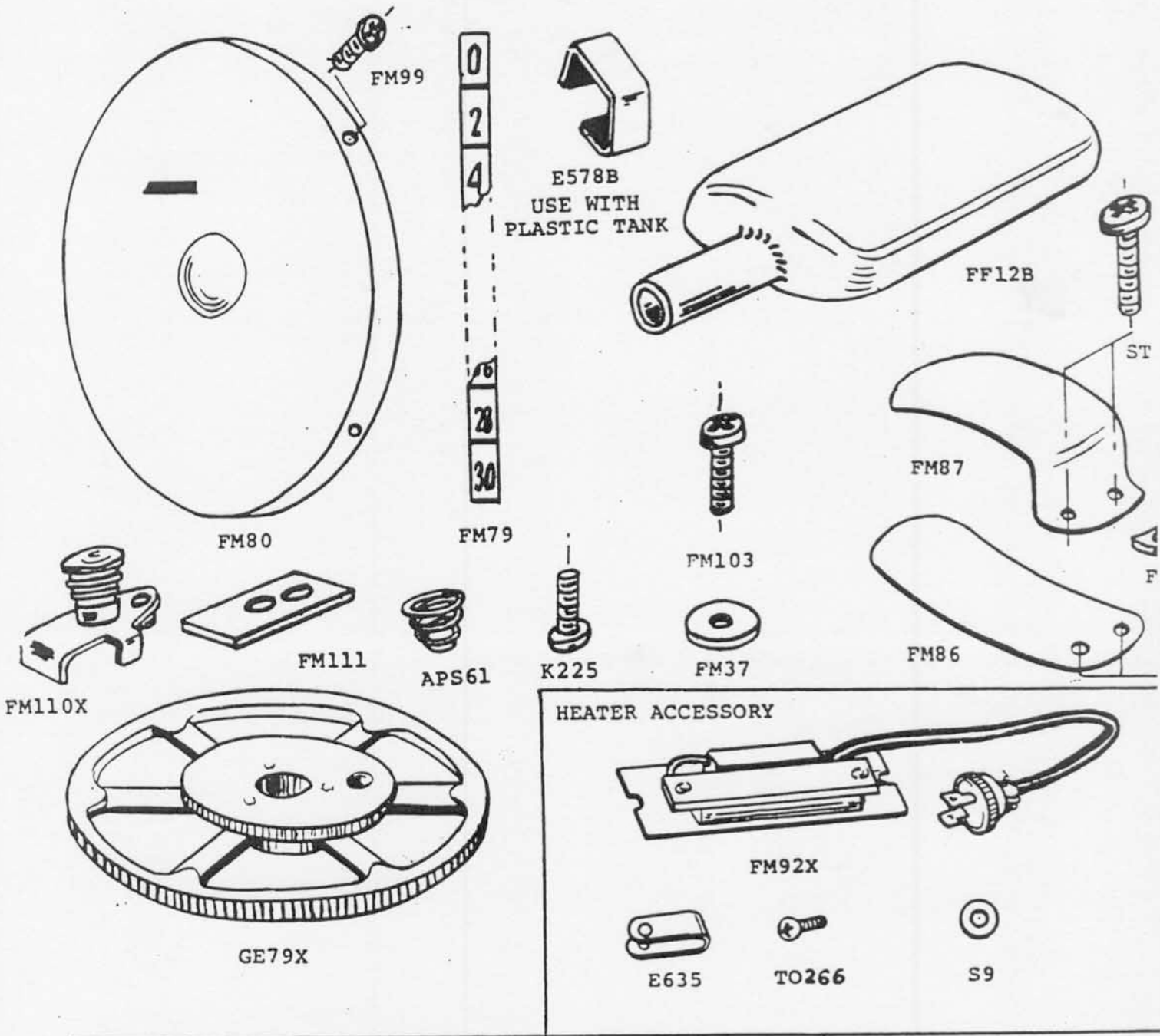


PW35A



TS324





Boatman Marking, Inc.
 2553 Lee Avenue
 So. El Monte, CA 91733
 Ph (626) 285-1802 Fax (626) 350-8045
 www.BoatmanMarking.com