



BETTER PACKAGES™

BP555e
115 Volt Unit
Parts List



Boatman Marking, Inc.

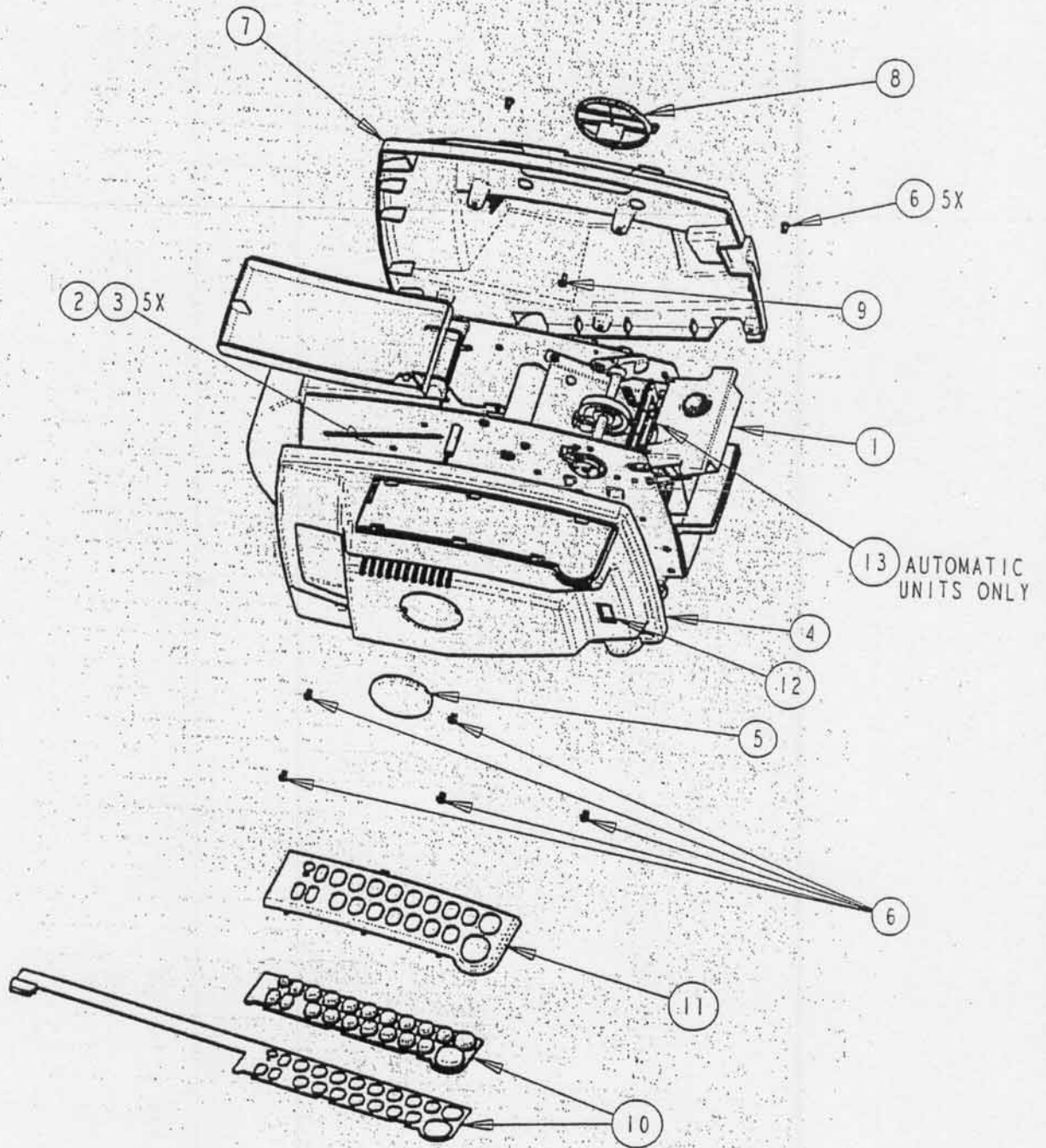
2553 Lee Avenue

So. El Monte, CA 91733

Ph (626) 285-1802 Fax (626) 350-8045

www.BoatmanMarking.com

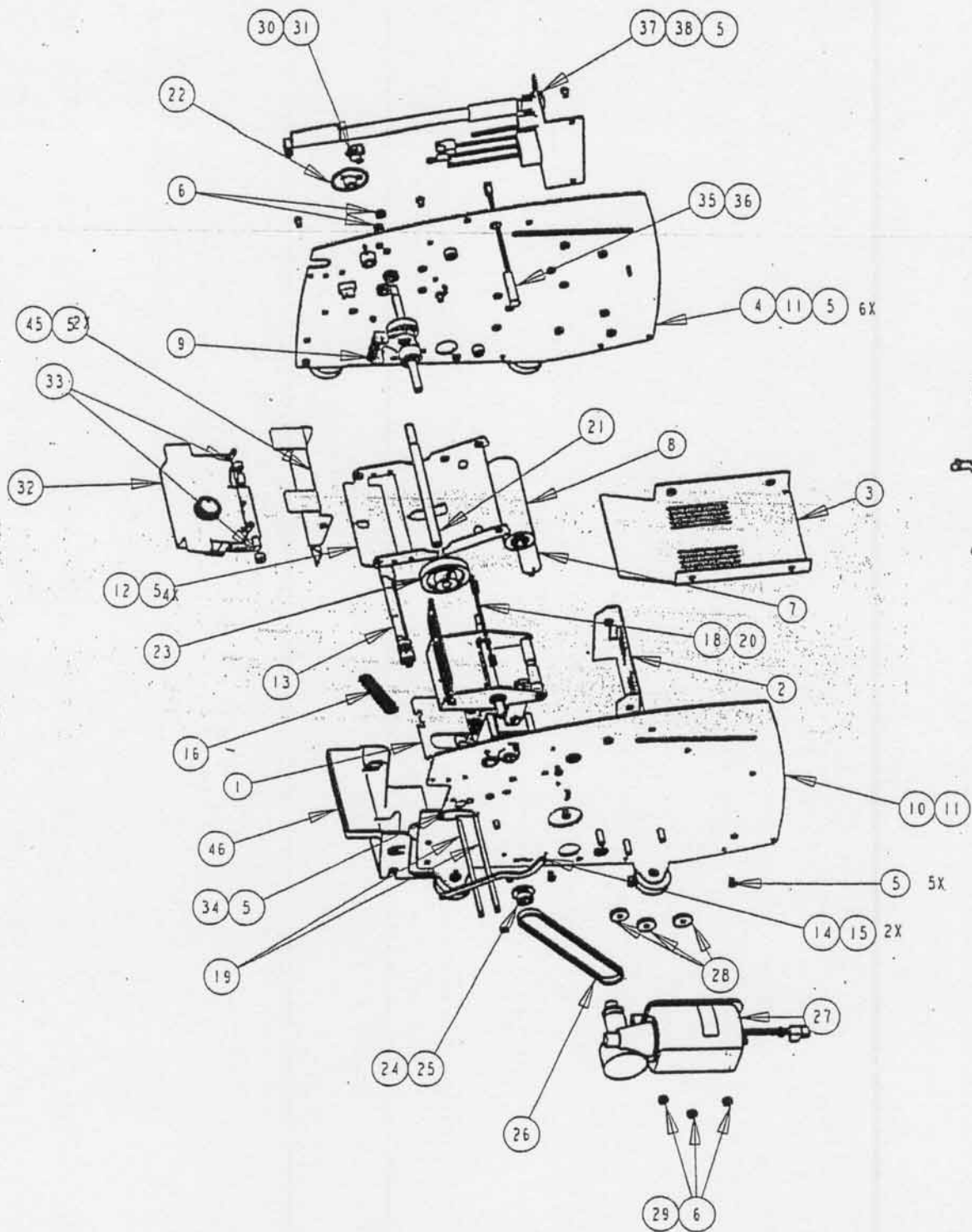
ITEM NO.	PART NUMBER	DESCRIPTION	QTY	
1	E555-040-01	BP555ES 115 VOLT CHASSIS ASSY	1	
2	E555-001-01	MAIN LOGIC BOARD ASSY	1	BP555eSA
	E555-002-01	MAIN LOGIC BOARD ASSY		BP555eS
	E555-001-02	MAIN LOGIC BOARD ASSY		BP555eLA
	E555-002-02	MAIN LOGIC BOARD ASSY		BP555eL
3	ST-2340	SCREW, #6-32 X .5	5	
4	E555-030-00	LEFT COVER	1	
5	E555-055-01	COVER BADGE	1	
6	ST-1949	SCREW, #10-24 X .375	5	
7	E555-031-00	RIGHT COVER	1	
8	E555-037-00	BOTTLE RETAINER	1	
9	ST2339	SCREW, SELF THREADING, TYPE B #8 X 3/8	1	
10	E555-003-01	KEY PAD ASSY	1	BP555eS
	E555-003-02	KEY PAD ASSY		BP555eSA
	E555-003-03	KEY PAD ASSY		BP555eL
	E555-003-04	KEY PAD ASSY		BP555eLA
11	E555-039-01	BEZEL, KEYPAD	1	BP555eS
	E555-039-02	BEZEL, KEYPAD		BP555eSA
	E555-039-03	BEZEL, KEYPAD		BP555eL
	E555-039-04	BEZEL, KEYPAD		BP555eLA
12	E555-071-01	CABLE ASSY, POWER SWITCH	1	
13	E555-069-01	CABLE ASSY, 555E TAPE SENSOR	1	(AUTOMATIC UNITS ONLY)



BP555e

BP555ES 115 VOLT CHASSIS ASSY

ITEM NO.	PART NUMBER	DESCRIPTION	QTY
1	E555-043-01	SOLENOID & CUTTER ASSEMBLY	1
2	E555-019-01	VERTICLE TIE PLATE ASSY	1
3	E555-050-01	BASKET ASSY	1
4	E555-042-01	LEFT FRAME ASSEMBLY	1
5	ST-1949	SCREW, #10-24 X .375	26
6	K221B	NUT, 1/4-20 HEX LOCK	5
7	E555-051-01	TAPE ROLLER ASSY	1
8	E555-027-01	IMPRESSION ROLLER ASSY	1
9	E555-053-01	IDLER SHAFT ASSY	1
10	E555-047-01	ASSY-RIGHT FRAME	1
11	ST-2346	BUSHING, WIRE	2
12	E555-012-01	TAPE PLATE ASSY	1
13	E555-082-01	STOP SHAFT ASSY	1
14	E555-078-00	CUTTER LIFT LINK	1
15	WK20	RETAINING WASHER	2
16	E585C	CUTTER SPRING	1
17	FM21X	STATIONARY SHEAR ASSY	1
18	SA10X	FELT & BRACKET ASSY	1
19	E580SA	SHAFT, FELT BRACKET	2
20	SA13	SOLVENT BRKT TENSION SPRING	1
21	E555-024-00	SHAFT, TAPE DRIVE	1
22	E555-046-01	ENCODER DISK ASSY	1
23	PW77X	FEED WHEEL	1
24	ND114A	FEED WHEEL SPROCKET	1
25	BM172	SET SCREW	1
26	ND116	MOTOR CHAIN	1
27	E555-044-01	MOTOR ASSY	1
28	ND125	RUBBER WASHER	6
29	E637	WASHER	6
30	E555-068-01	CABLE ASSY-555E TAPE LENGTH	1
31	ST-2440	SCREW #4-40 x 1/4 PHILLIPS PAN HD	2
32	E555-007-01	TOP HEATER ASSY	1
33	FM18	SHEAR GUIDE ROLLER 3"	2
34	E580RA	PIVOT ROD RETAINER	1
35	E555-075-01	MAGNETIC PROXIMITY SWITCH ASSY	1
36	ST-2345	RETAINING RING	1
37	E555-023-01	CONNECTOR PLATE ASSY	1
38	ST-2341	FUSE, 4 AMP, 5MMX20MM	1
39	E555-045-01	TOP & REAR COVER ASSY	1
40	E555-060-00	REAR COVER PIVOT PIN	1
41	023-376-0	E RING	2
42	ST2337	ERING	2
43	BT42	WASHER	2
44	E555-090-00	SPRING, EXTENSION-SWIVEL ENDS	1
45	E555-083-01	BAFFLE, SAFETY	1
46	E555-032-00	SHELF, WATER TANK	1



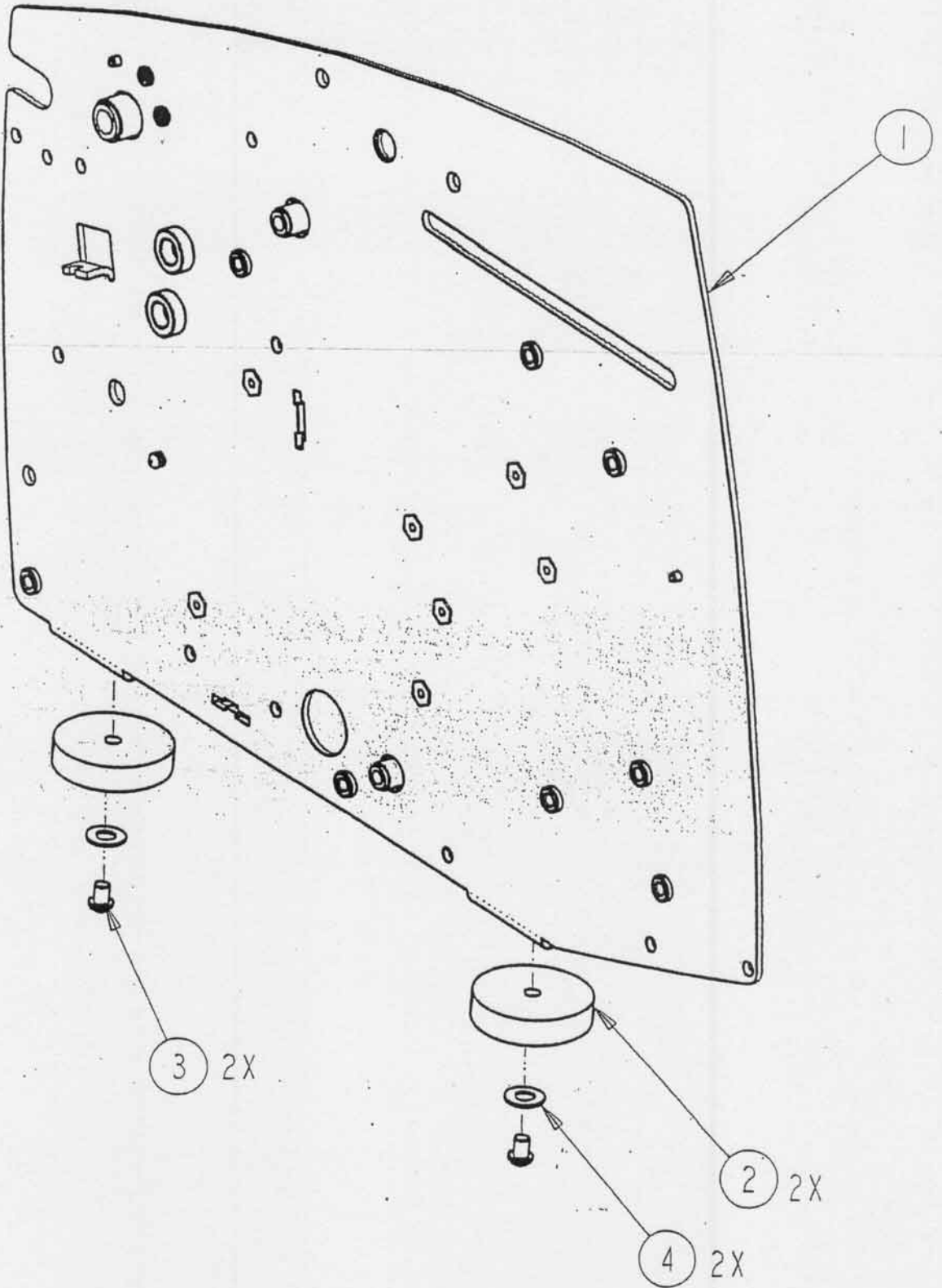
BP555E

PART NUMBER: E555-0

E555-042-01

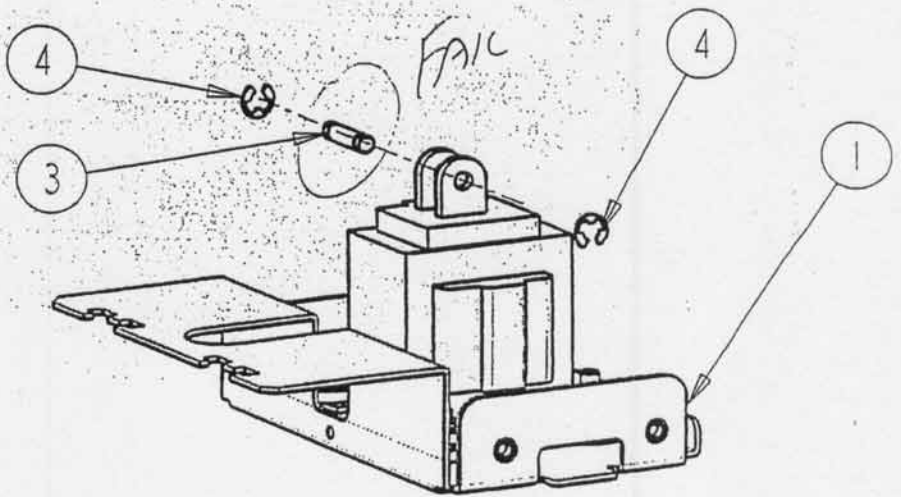
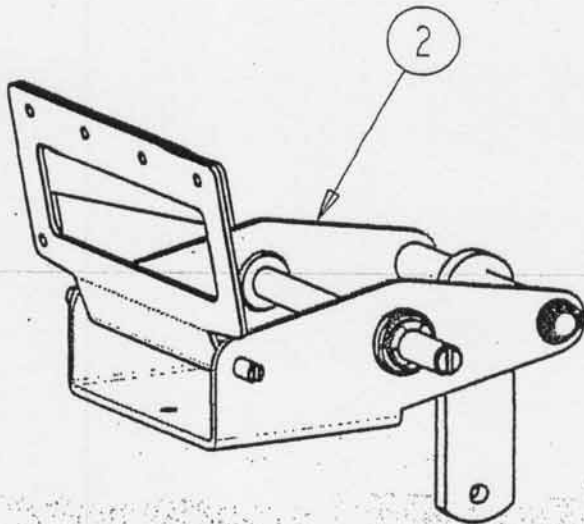
LEFT FRAME ASSY

ITEM NO.	PART NUMBER	DESCRIPTION	QTY
1	E555-010-01	LEFT FRAME	1
2	E555-054-00	FOOT	2
3	ST1949	SCREW	2
4	BW1/4THIN	FLAT WASHER #10	2



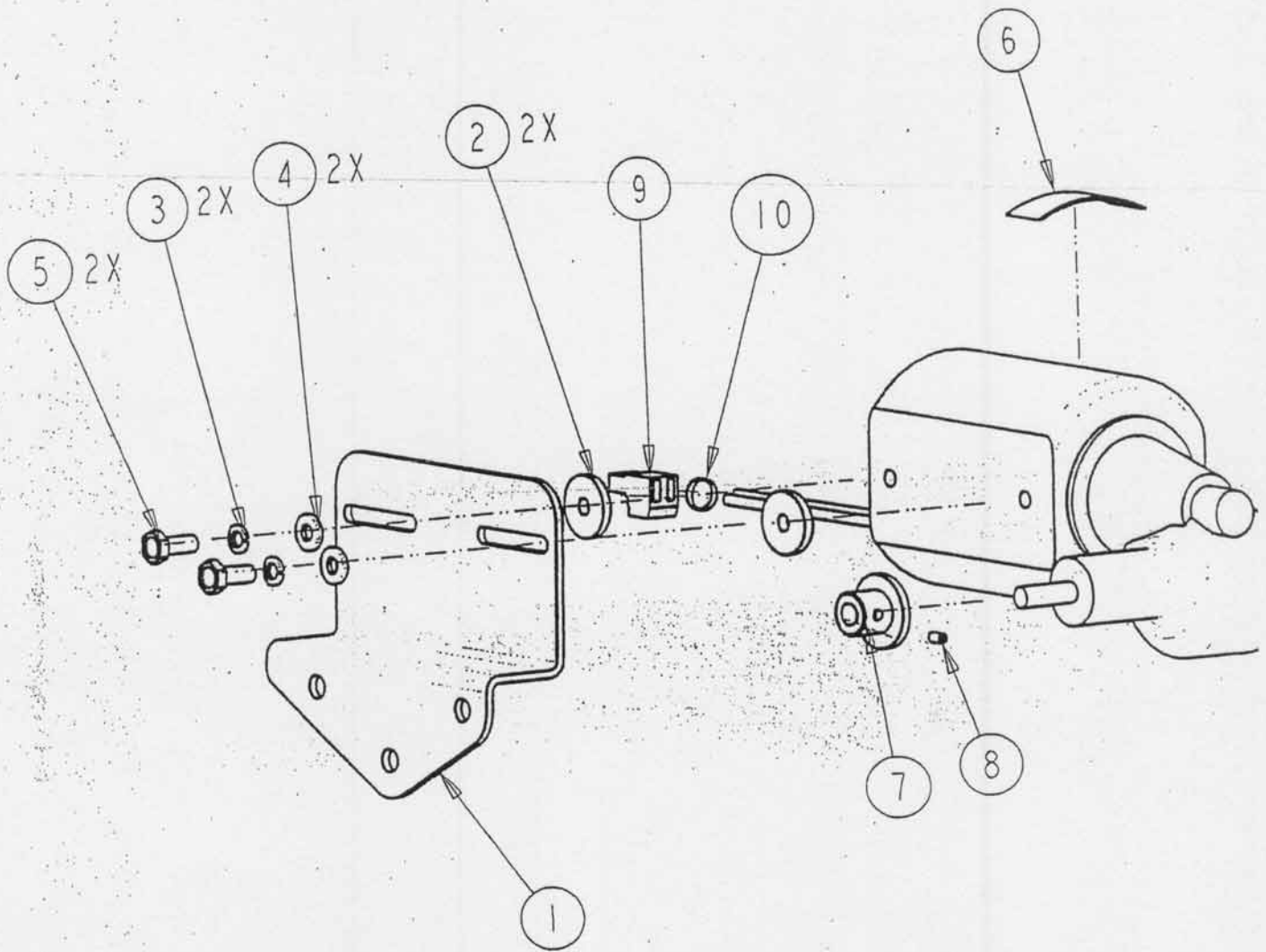
ASSEMBLY - LEFT FF
PART NUMBER: E555-0.

E555-043-01		SOLENOID & CUTTER ASSY 115 VOLT	
ITEM NO.	PART NUMBER	DESCRIPTION	QTY
1	E555-048-01	SOLENOID SHELF ASSY 115 VOLT	1
2	E555-049-01	CUTTER YOKE ASSY	1
3	E555-096-00	SOLENOID CLEVIS PIN	1
4	ST-2337	E-RING .187 DIA SHAFT	2



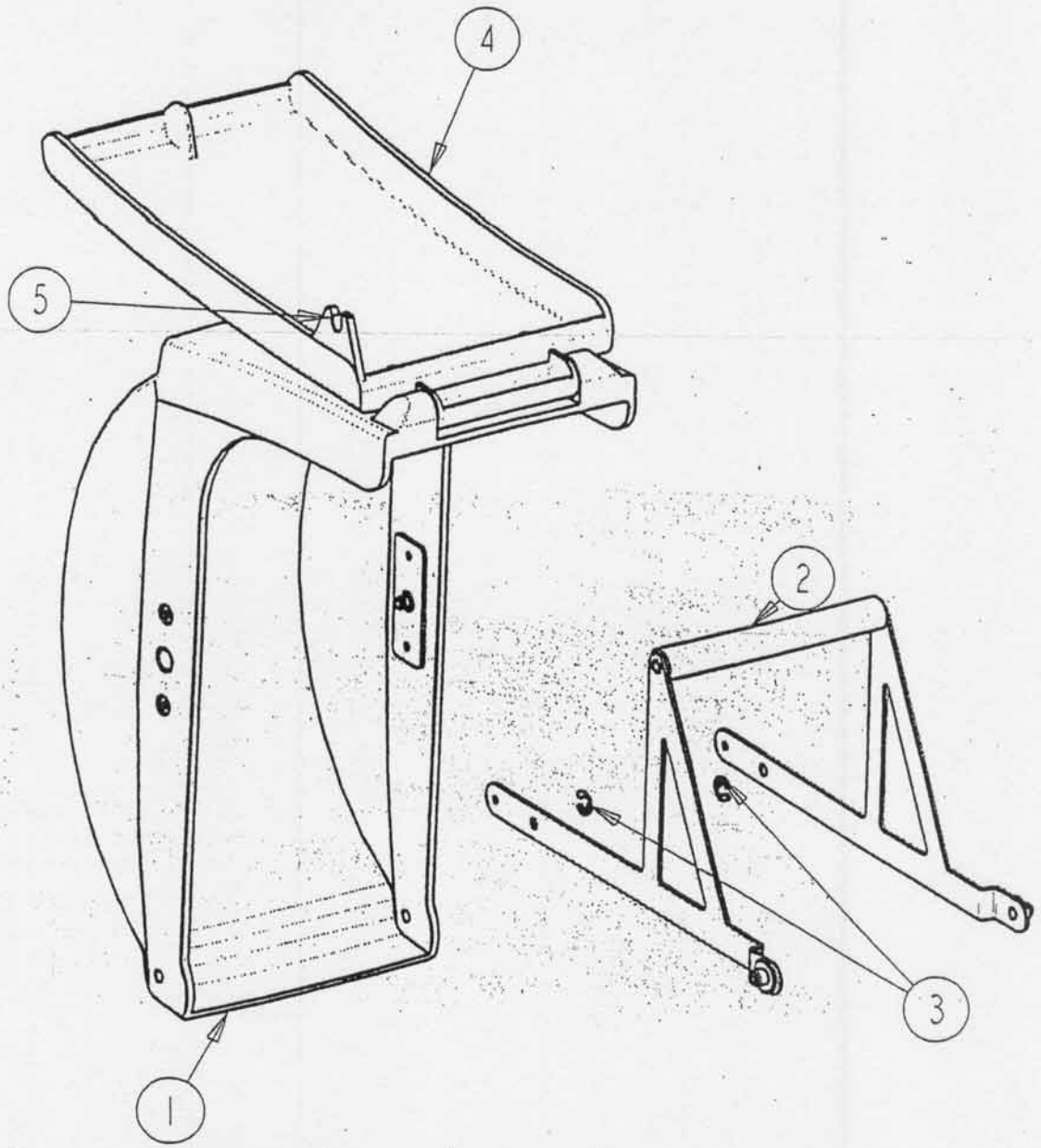
ITEM 1
SOLENOID & CUTTER ASSE
PART NUMBER: E555-043-

E555-044-01		MOTOR ASSEMBLY	
ITEM NO.	PART NUMBER	DESCRIPTION	QTY
1	ND121	MOTOR MOUNT BRACKET	1
2	ND122A	SPACER	2
3	ND130	LOCKWASHER	2
4	BS40	WASHER	2
5	E639	SCREW-MOTOR MOUNTING	2
6	ND105L	MOTOR LABEL	1
7	ND114	SPROCKET, MOTOR	1
8	BM172	SET SCREW	1
9	ST2291	CONNECTOR	1
10	ST190	PLASTIC TIE	1



MOTOR ASSEMBLY
PART NUMBER: E555-04

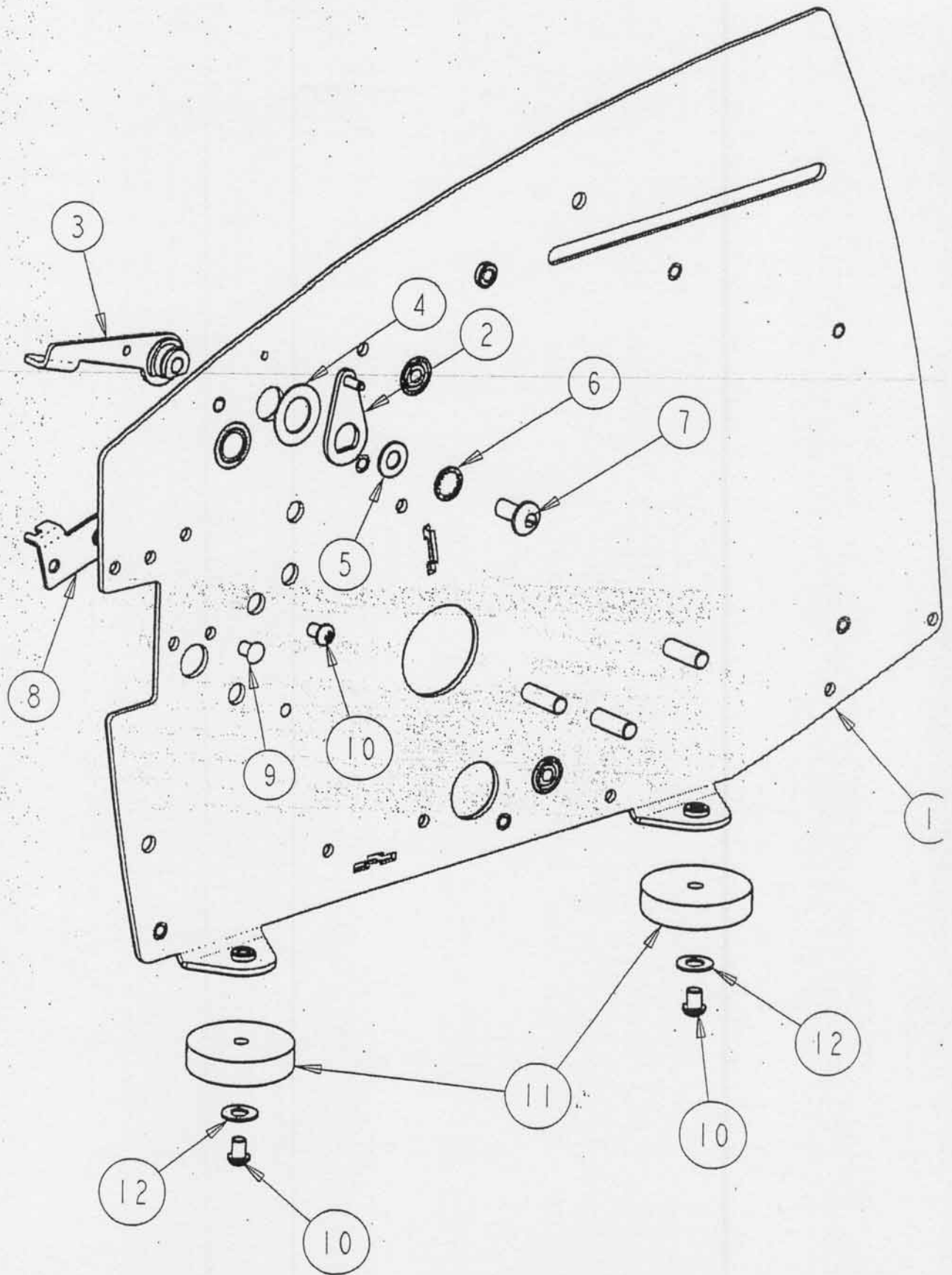
E555-045-01		TOP & REAR COVER ASSY	
ITEM NO.	PART NUMBER	DESCRIPTION	QTY
1	E555-034-01	REAR COVER ASSY	1
2	E555-098-01	ASSY-LIFT ROLLER BRACKET	1
3	ST2337	E RING	2
4	E555-035-01	TOP COVER ASSY	1
5	ST-2344	MAGNET	1 (PART OF E555-035-01)



TOP & REAR COVER ASSEMBLY
PART NUMBER: E555-045-(

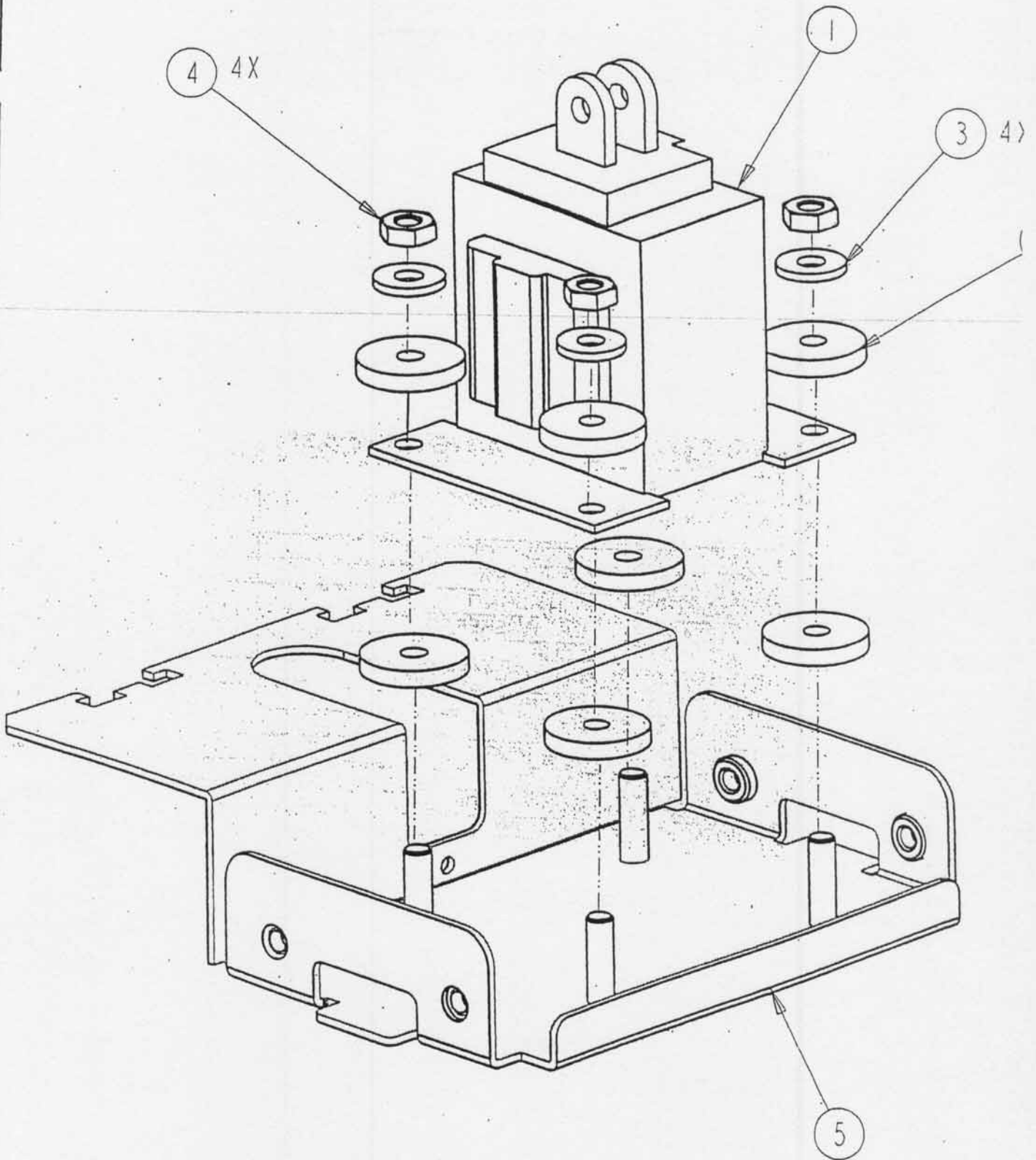
E555-047-01**RIGHT FRAME ASSY**

ITEM NO.	PART NUMBER	DESCRIPTION	QTY
1	E555-011-01	RIGHT FRAME	1
2	E555-085-01	CUTTER LIFT LEVER	1
3	E555-079-01	CUTTER LIFT LINK	1
4	K35A1/32	THICK WASHER	1
5	BW1/4 THIN	WASHER	1
6	1214	LOCKWASHER	1
7	TO256	SCREW	1
8	E555-061-01	STATIONARY BLADE ADJUSTER	1
9	FM90	RIVET	1
10	ST1949	SCREW	3
11	E555-054-00	FOOT	2
12	BW1/4THIN	FLAT WASHER #10	2



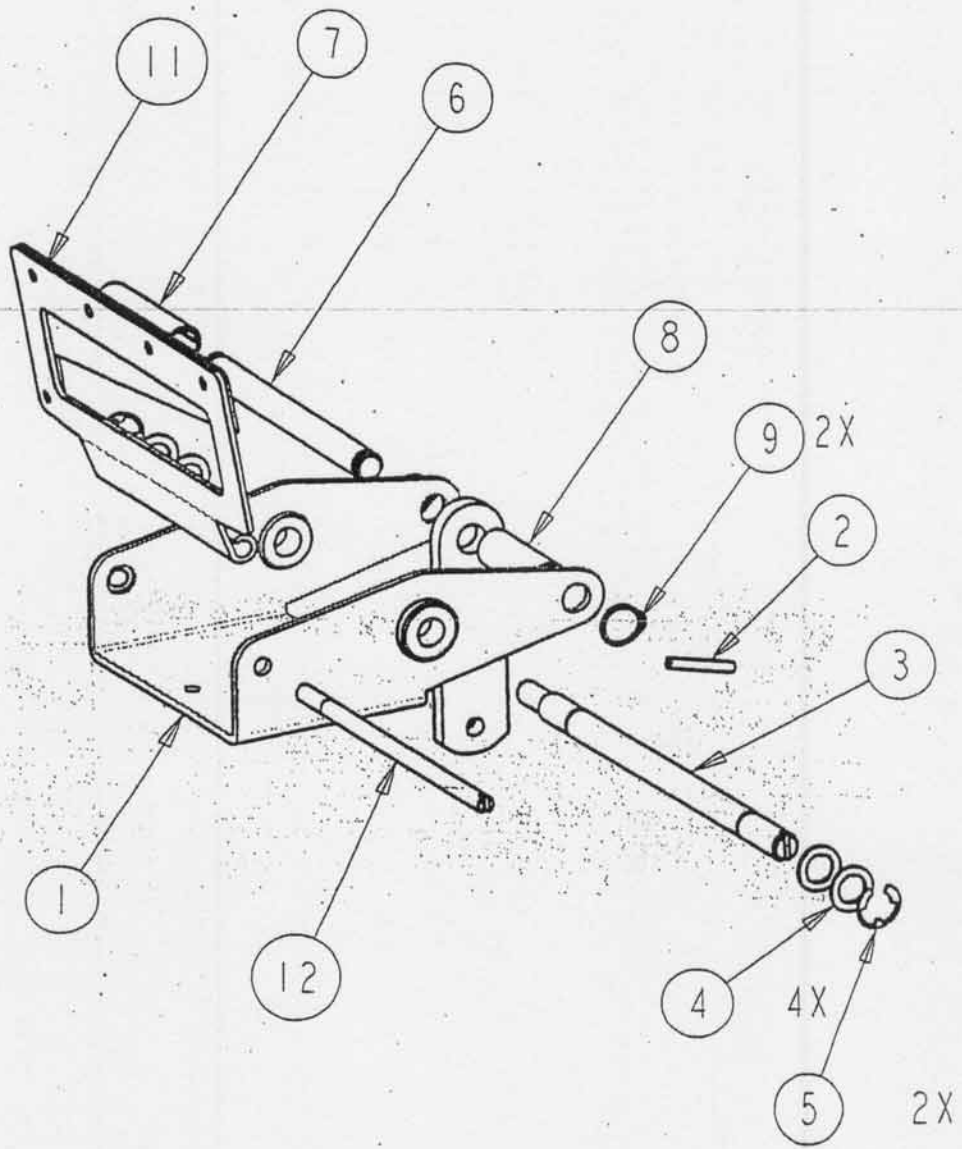
ASSEMBLY - RIGHT F
PART NUMBER: E555-04

E555-048-01		SOLENOID SHELF ASSY 115 VOLT	
ITEM NO.	PART NUMBER	DESCRIPTION	QTY
1	E555-005-01	SOLENOID 115 VOLT	1
2	E596	RUBBER WASHER	8
3	FF91	WASHER	4
4	K221B	LOCK NUT	4
5	E555-014-01	SOLENOID SHELF	1



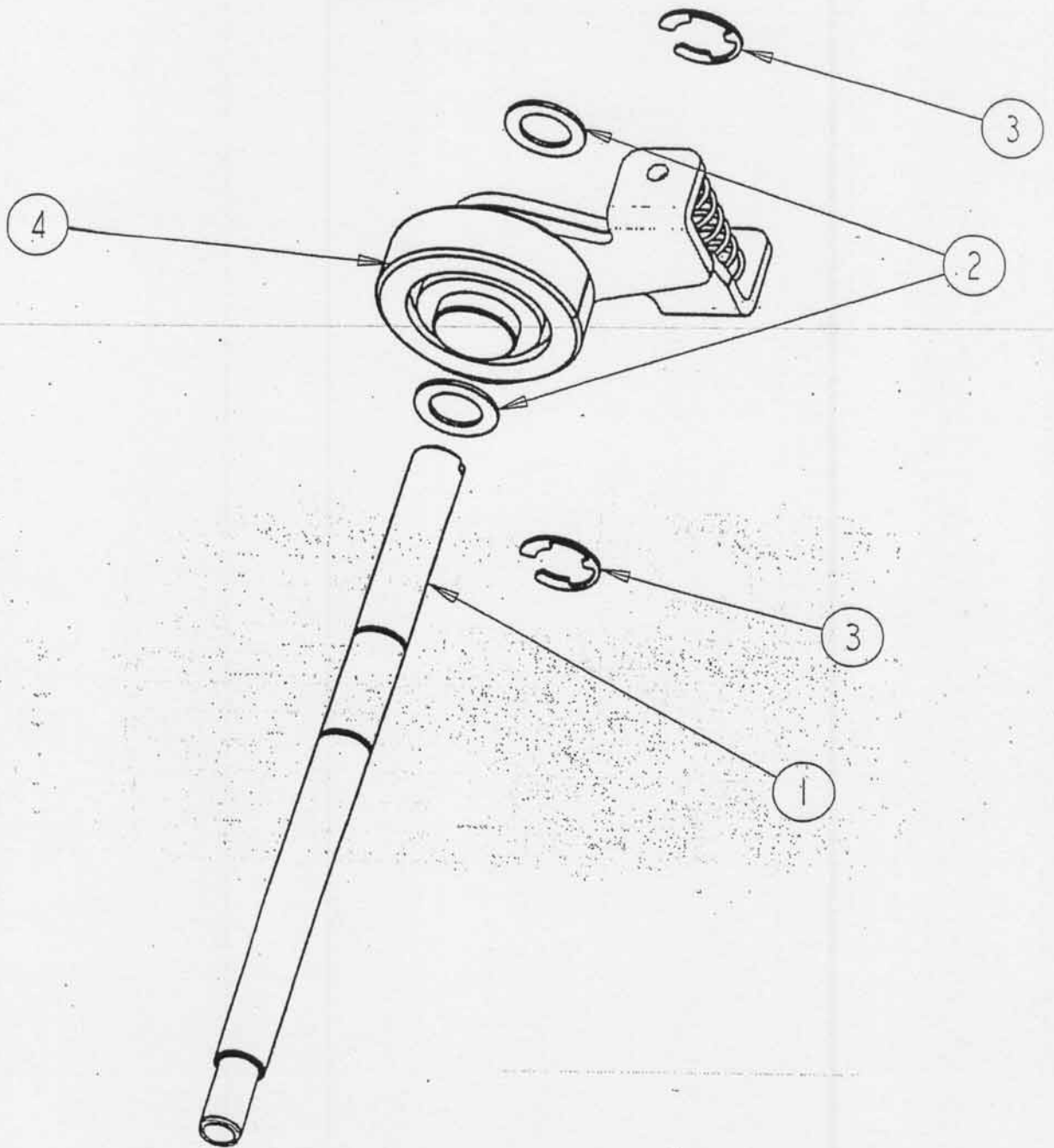
SOLENOID SHELF ASSEMBLY
PART NUMBER: E555-04

E555-049-01		CUTTER YOKE ASSY	
ITEM NO.	PART NUMBER	DESCRIPTION	QTY
1	E555-015-01	CUTTER YOKE	1
2	FM73	SET SCREW	1
3	E555-052-00	PIVOT SHAFT	1
4	SX49A	FLAT WASHER	4
5	FM94	E CLIP	2
6	E623	SHAFT CUTTER LINK	1
7	E624	SPACER	1
8	E625	SPACER	1
9	WK2	SNAP RING	2
10	E555-020-00	LINK	1
11	FM20BX	SHEAR BLADE	1
12	FM25B	SHEAR PIN	1



CUTTER YOKE ASSEM
PART NUMBER: E555-C

E555-053-01		IDLER ASSY	
ITEM NO.	PART NUMBER	DESCRIPTION	QTY
1	E555-053-00	PIVOT SHAFT, IDLER	1
2	SX49A	WASHER	1
3	FM94	E CLIP	2
4	E626XX	IDLER ASSY	1

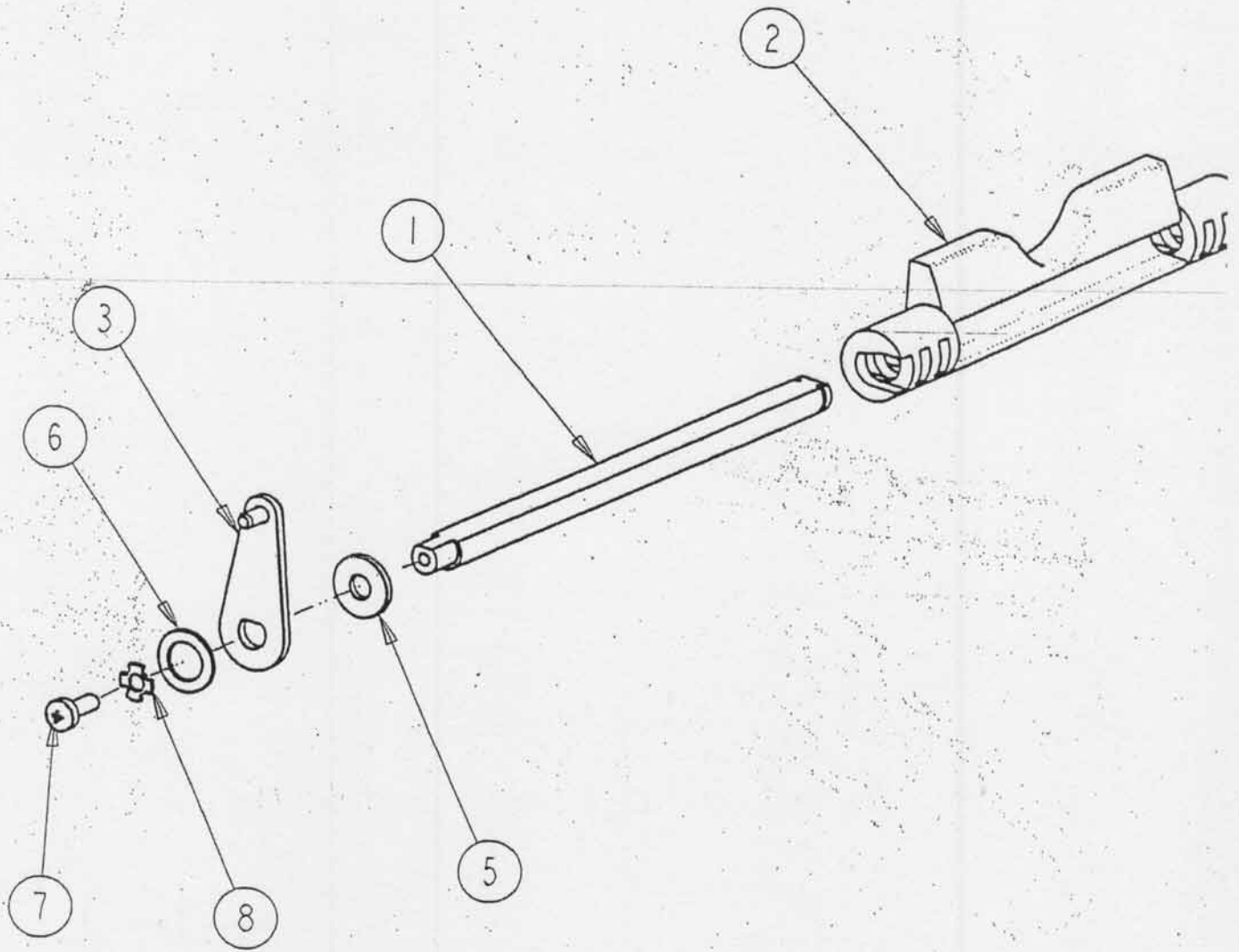


IDLER SHAFT ASSEM
PART NUMBER: E555-0

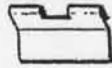
E555-082-01

STOP SHAFT ASSY

ITEM NO.	PART NUMBER	DESCRIPTION	QTY
1	E555-082-00	STOP SHAFT	1
2	E555-077-00	CUTTER LIFT CAM	1
3	E555-084-01	CUTTER LIFT LEVER ASSY	1
4	WK2	RETAINING RING	1
5	FF91	WASHER	1
6	SX49A	WASHER	1
7	ST-2340	SCREW	1
8	1106	EXTERNAL TOOTH LOCK WASHER	1



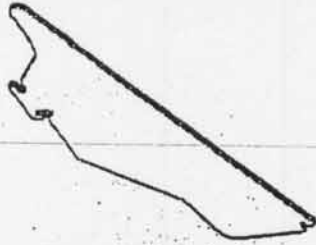
STOP SHAFT ASSE
PART NUMBER: E555-0



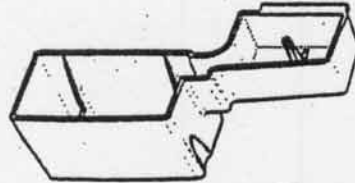
E555-017-00



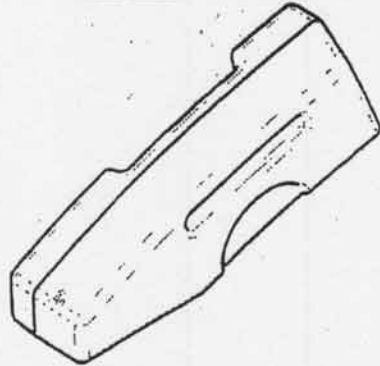
E555-018-00



E555-028-00



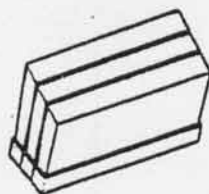
E555-033-00



E555-036-00
(E555-131-01 W/CAP)



E555-038-00



E555-132-01

BP555E ACCESSORI

ACCESSORIES

ITEM NO.	PART NUMBER	DESCRIPTION	QTY
1	900-349-0	LABEL, HEAT	1
2	E555-009-01	BOTTLE CAP ASSY	1
3	E555-017-00	BRUSH RETAINER	1
4	E555-018-00	UPPER TAPE GUIDE	1
5	E555-028-00	SIDE GUIDE	2
6	E555-033-00	WATER TANK	1
7	E555-036-00	WATER BOTTLE	1
8	E555-038-00	WATER LEVEL ADJUSTER	1
9	E555-132-01	BRUSH ASSY	1
10	FORM 50661	MANUAL	1
11	ST-0484	LINE CORD, COLOR:BLACK	1

**BOTTLE AND CAP ASSY E555-131-01*