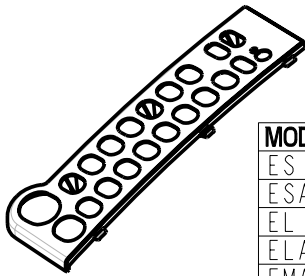


**BP555e ITEM LIST**

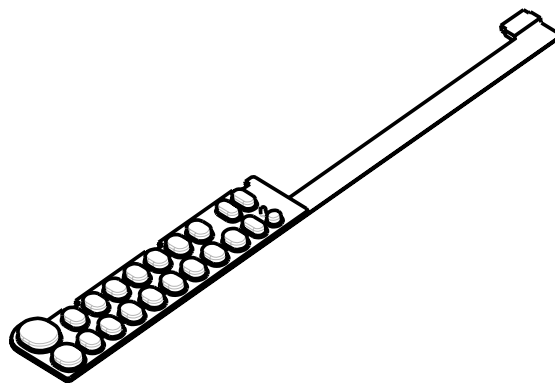
**Better Packages, Inc.®**

Shelton, CT 06484



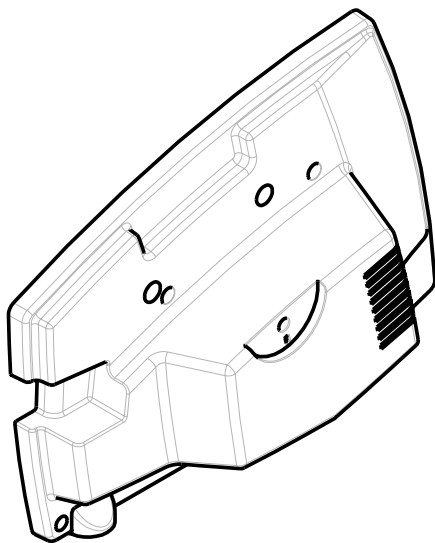
**ITEM 1 - BEZEL**

MODEL	PART NUMBER
ES	E555-039-01
ESA	E555-039-02
EL	E555-039-03
ELA	E555-039-04
EMA	E555-039-06
EJA	E555-039-08
EFA	E555-039-10

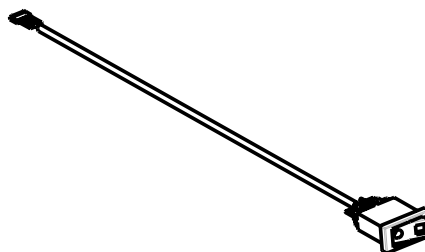


**ITEM 2 - MEMBRANE SWITCH PAD ASSY**

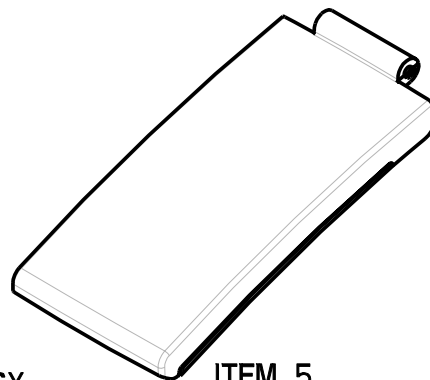
MODEL	PART NUMBER	PAD ONLY P/N	SWITCH ONLY P/N
ES	E555-003-01	E555-003-01-PAD	E555-003-01-SW
ESA / EFA	E555-003-02	E555-003-02-PAD	E555-003-01-SW
EL	E555-003-03	E555-003-03-PAD	E555-003-01-SW
ELA	E555-003-04	E555-003-04-PAD	E555-003-01-SW
EMA / EJA	E555-003-06	E555-003-06-PAD	E555-003-01-SW



**ITEM 3**  
E555-031-00 - RIGHT COVER



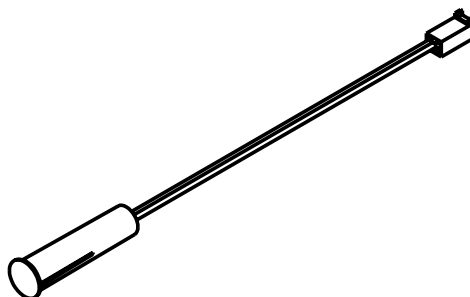
**ITEM 4**  
E555-071-01 - SWITCH ASSY



**ITEM 5**  
E555-035-01  
TOP COVER ASSY



**ITEM 6**  
E555-034-01  
REAR COVER ASSY



**ITEM 7**  
E555-075-01  
MAGNETIC PROXIMITY SWITCH ASSY



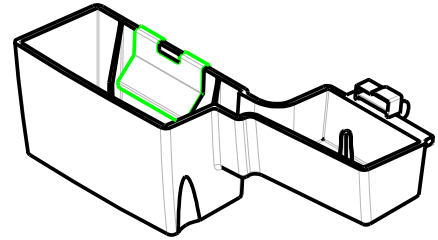
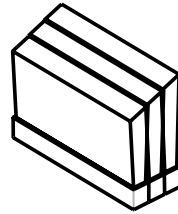
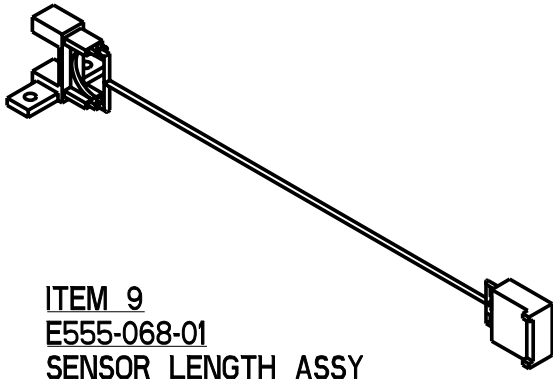
**ITEM 8**  
E555-150-00 - ENCODER

**BP555e ITEM LIST**



**Better Packages, Inc.®**

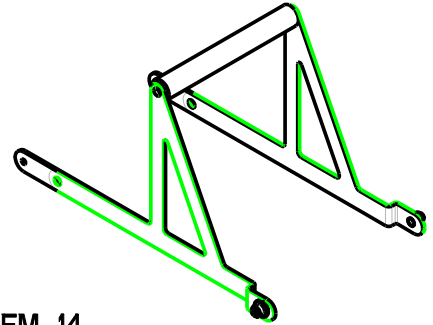
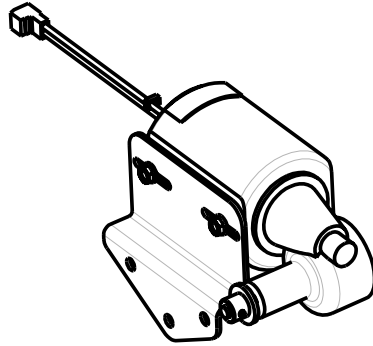
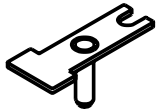
Shelton, CT 06484



**ITEM 9**  
E555-068-01  
SENSOR LENGTH ASSY

**ITEM 10**  
E555-132-01 - BRUSH ASSY

**ITEM 11**  
E555-033-01 - TANK ASSY

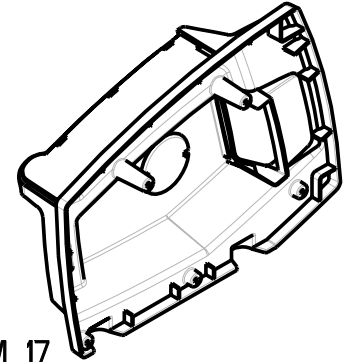
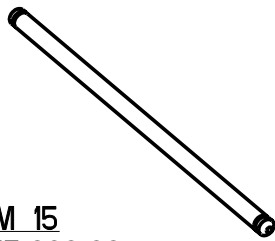


**ITEM 12**  
E555-157-01  
HEATER PIVOT ASSY

**ITEM 13 - MOTOR BRACKET ASSY**

**ITEM 14**  
E555-098-01  
ASSY, LIFT ROLLER BRACKET

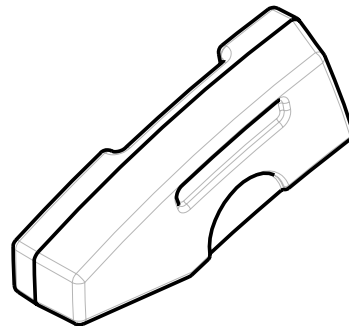
MODEL	PART NUMBER
ESA / ELA	E555-044-01
EL / ES	E555-044-02
EFA / EMA	E555-044-02
EJA	E555-044-03



**ITEM 15**  
E555-060-00  
REAR PIVOT PIN

**ITEM 16**  
E555-090-00  
SPRING, EXTENSION-SWIVEL ENDS

**ITEM 17**  
E555-030-00 - LEFT COVER



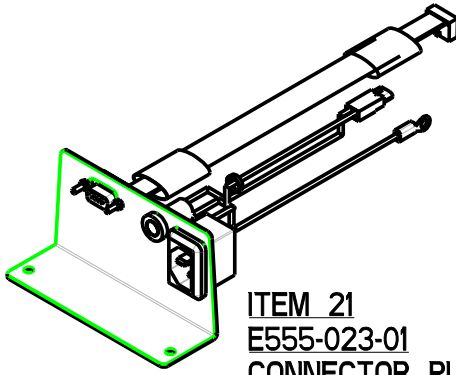
**ITEM 18**  
E555-037-00  
BOTTLE RETAINER

**ITEM 19**  
E555-036-00 - WATER BOTTLE

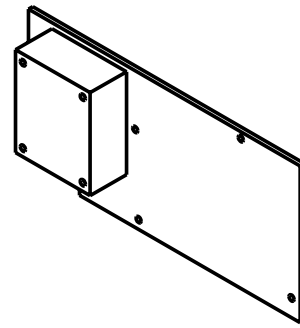
 **Better Packages, Inc.®**  
Shelton, CT 06484



ITEM 20  
E555-160-01  
ASSY, BOTTLE CAP



ITEM 21  
E555-023-01  
CONNECTOR PLATE ASSY

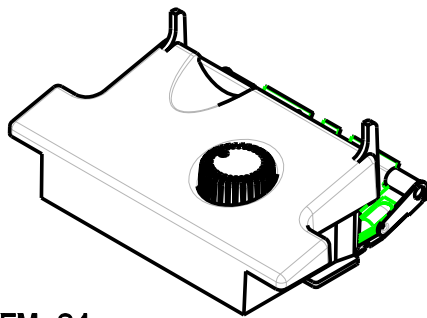


ITEM 22 - ASSY, E555 BOARD

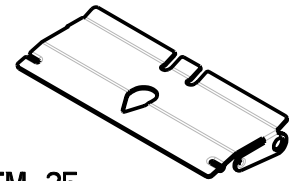
MODEL	PART NUMBER
ESA	E555-001-01
ELA	E555-001-02
EL	E555-002-02
ES	E555-002-01
EJA	E555-001-03
EFA / EMA	E555-001-06



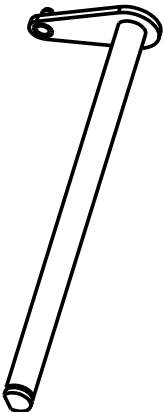
ITEM 23  
E555-069-01  
SENSOR ASSY



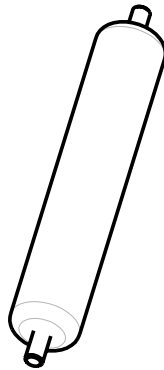
ITEM 24  
E555-007-01 - TOP HEATER ASSY



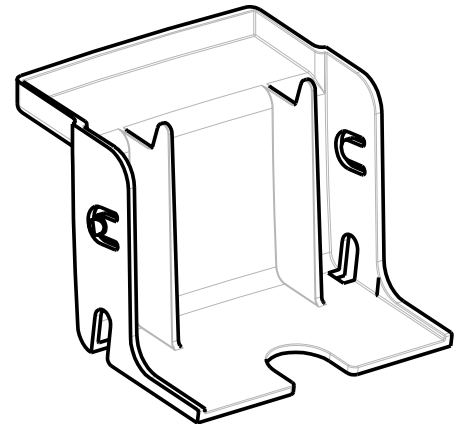
ITEM 25  
E555-136-00  
LOWER HEATER PLATE



ITEM 26  
E555-084-01  
LINK, CUTTER LIFT CAM



ITEM 27  
E555-051-01  
ROLLER ASSEMBLY

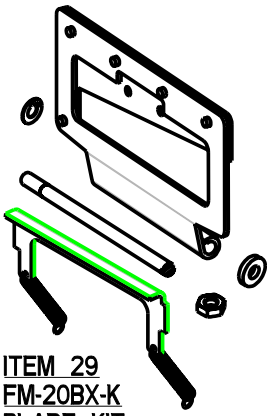


ITEM 28  
E555-032-00 - TANK SHEL

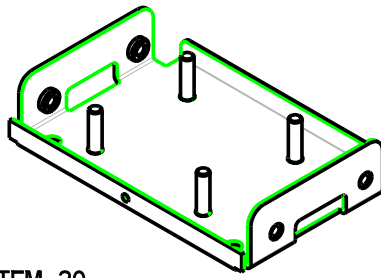
**BP555e ITEM LIST**

 **Better Packages, Inc.®**

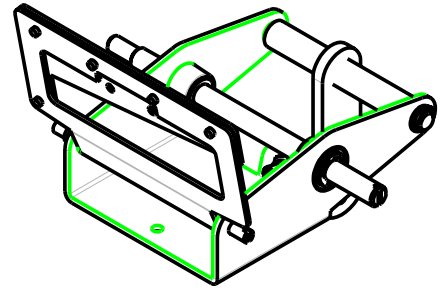
Shelton, CT 06484



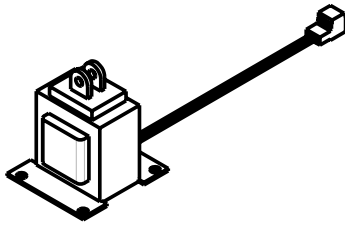
**ITEM 29**  
**FM-20BX-K**  
**BLADE KIT**



**ITEM 30**  
**E555-014-01**  
**SOLENOID SHELF ASSY**

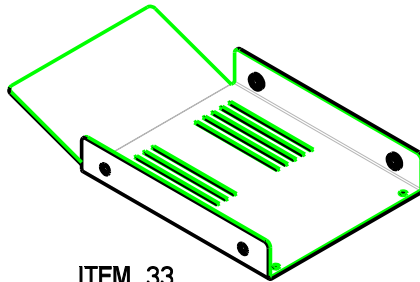


**ITEM 31**  
**E555-049-01**  
**CUTTER YOKE ASSY**

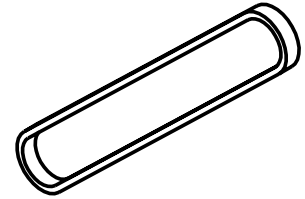


**ITEM 32 - SOLENOID**

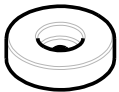
MODEL	PART NUMBER
ESA / ELA	E555-005-01
EL / ES	
EFA / EMA	E555-005-02
EJA	E555-005-03



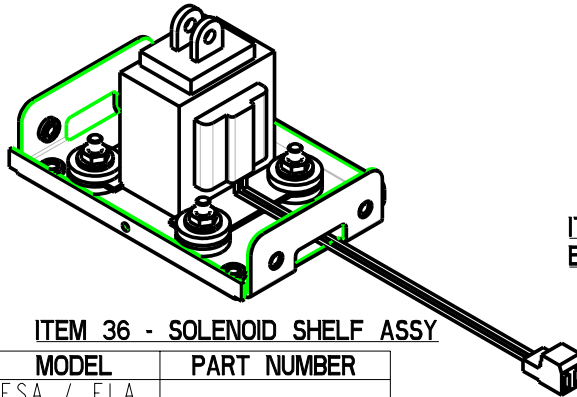
**ITEM 33**  
**E555-050-01 - BASKET ASSY**



**ITEM 34**  
**ND116 - MOTOR CHAIN**

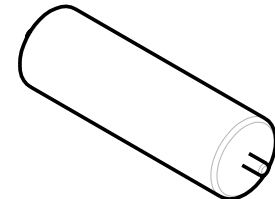


**ITEM 35**  
**E555-054-00 - FOOT**



**ITEM 36 - SOLENOID SHELF ASSY**

MODEL	PART NUMBER
ESA / ELA	E555-048-01
EL / ES	
EFA / EMA	E555-048-02
EJA	E555-048-03

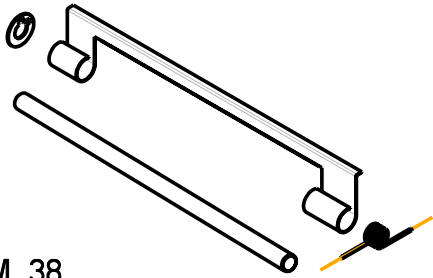


**ITEM 37**  
**E555-241-01 - ASSY, ROLLER PLASTIC**

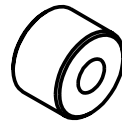
**BP555e ITEM LIST**

**Better Packages, Inc.®**

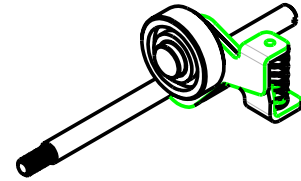
Shelton, CT 06484



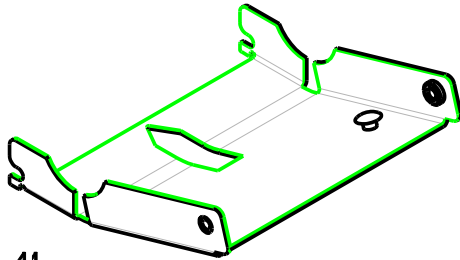
ITEM 38  
SA10XXK - FELT & BRACKET KIT



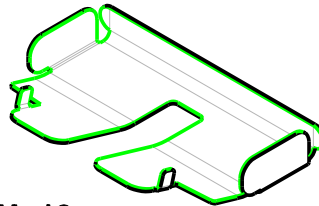
ITEM 39  
FM-18A - SHEAR GUIDE ROLLER, WIDE



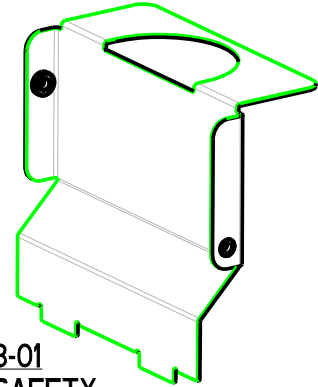
ITEM 40  
E555-053-01  
IDLER ASSY



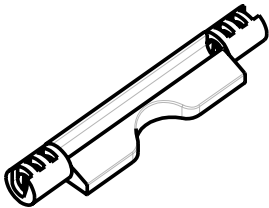
ITEM 41  
E555-137-01 - LOWER TAPE PLATE



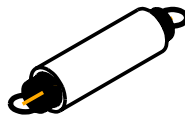
ITEM 42  
E555-018-00  
UPPER TAPE GUIDE



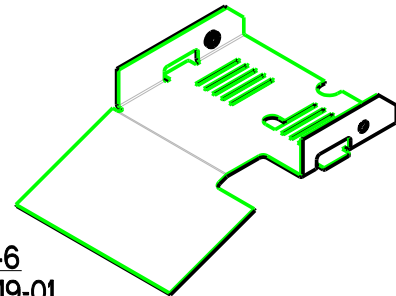
ITEM 43  
E555-083-01  
BAFFLE-SAFETY



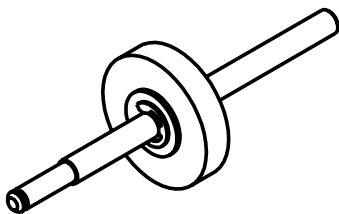
ITEM 44  
E555-077-00  
CAM, CUTTER LIFT



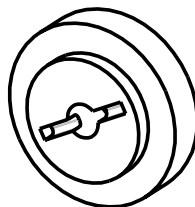
ITEM 45  
E555-074-01 - SPRING ASSY



ITEM 46  
E555-019-01  
VERTICAL TIE PLATE ASSY



ITEM 47  
E555-024-01  
FEED WHEEL ASSY



ITEM 48  
E555-065-00  
FEED WHEEL



ITEM 49  
E555-078-00  
LINK, CUTTER LIFT CAM

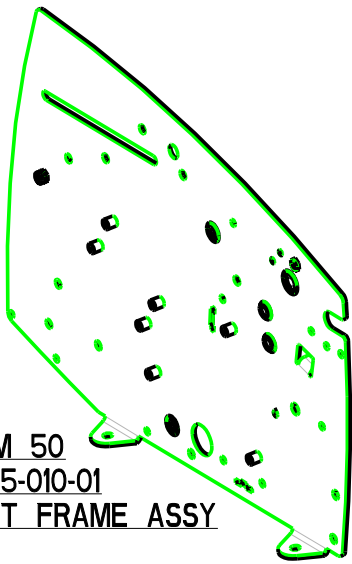
### BP555e ITEM LIST



**Better Packages, Inc.®**

Shelton, CT 06484

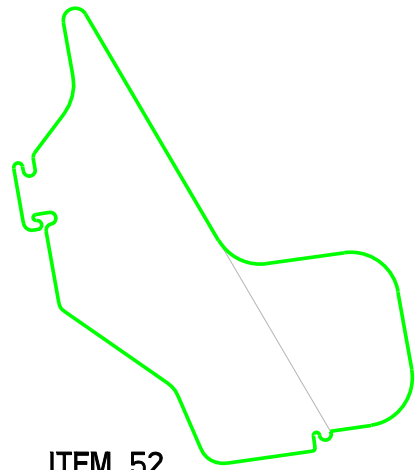
ITEM 50  
E555-010-01  
LEFT FRAME ASSY



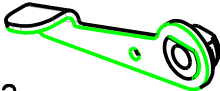
ITEM 51  
E555-062-00 - HEATER KNOB



ITEM 52  
E555-064-00 - SIDE GUIDE



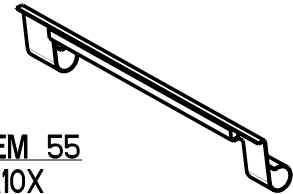
ITEM 53  
E555-079-01  
CUTTER LIFT LEVER



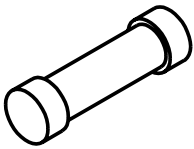
ITEM 54  
E555-085-01  
LINK, CUTTER LIFT



ITEM 55  
SA10X  
FELT/BRACKET ASSY

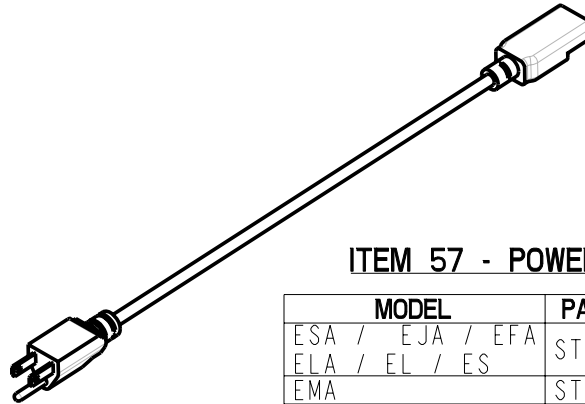


ITEM 56 - FUSE



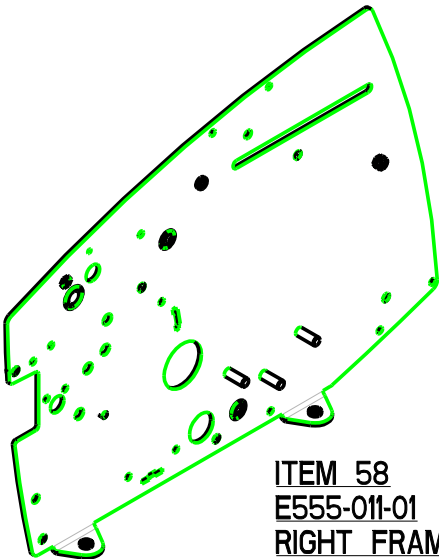
MODEL	PART NUMBER
ESA / EJA / ELA EL / ES	ST-2341
EFA / EMA	ST-2490

ITEM 57 - POWER CORD



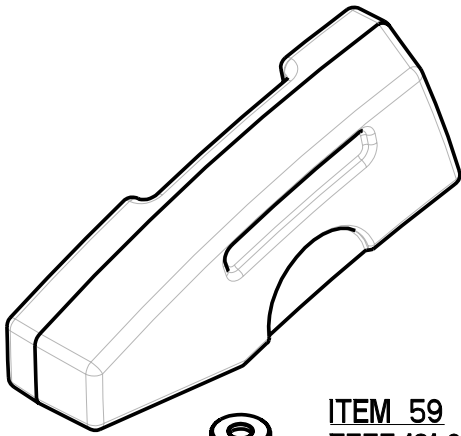
MODEL	PART NUMBER
ESA / EJA / EFA ELA / EL / ES	ST-484
EMA	ST-2004

ITEM 58  
E555-011-01  
RIGHT FRAME ASSY



**BP555e ITEM LIST**  
**Better Packages, Inc.®**

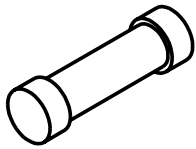
Shelton, CT 06484



**ITEM 59**  
**E555-131-01**  
**KIT-WATER BOTTLE**



**ITEM 60**  
**E555-055-01**  
**BADGE**



**ITEM 61 - FUSE, FOR PC BOARD**

MODEL	PART NUMBER
ESA / EJA / ELA EL / ES	ST-2128
EFA / EMA	ST-2484

